

# RESTAURANT SEATING CATALOG





# THE DM SEATING DIFFERENCE

---

## OVER TWO DECADES OF SATISFIED CUSTOMERS

---

Large chains or small dealers, we always satisfy our customers.  
You get what you want, when you want it.

---

## A COMMITMENT TO QUALITY

---

We build every product to last. No shortcuts.

---

## THE LIFETIME WARRANTY

---

We back our web based booth design with the industry's only  
lifetime seat & frame warranty.

---

## COMPUTER ENGINEERED DESIGN

---

Our booths are designed and cut to exact specifications.  
All are based on our virtually indestructible 'UNI-FRAME' construction.

---

## STANDARDS THAT OTHERS CALL OPTIONS

---

Our base designs include full 48" lengths, crumb strips, both end caps and an  
extra tall ABS textured plastic kick-plate.

---

## MORE THAN JUST BOOTHS

---

We have in-house finish, mill work, installation, metal shop capabilities and designers.  
DM can handle as little or as much as you need.



# TABLE OF CONTENTS

## BOOTHS

Upholstered with top caps . . . . .	4
Upholstered with pullover tops . . . . .	6
Wood with or without pads . . . . .	7
Waiting / lobby benches . . . . .	11

## CHAIRS & BARSTOOLS

Wood seating . . . . .	12
Metal seating . . . . .	13

## TABLE TOPS

Laminate . . . . .	14
Solid wood . . . . .	15
Table bases . . . . .	16

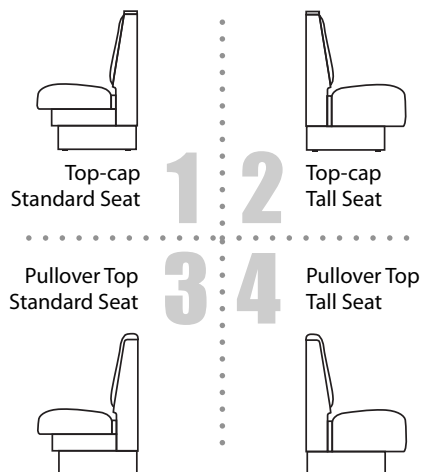
## OTHER

Trash receptacles . . . . .	17
Hostess stands . . . . .	17

## APPENDIX

Upholstery Grades . . . . .	18
Space planning . . . . .	19
Booth dimensions . . . . .	20
Terms & conditions . . . . .	22
General information . . . . .	23

## DM's 4-BASIC STYLES



## UPHOLSTERED BOOTHS with TOP CAPS



### Top Cap - Standard Seat

Our standard upholstered booth delivers style and upper-class comfort, in a versatile booth that can be customized to fit any restaurant theme.

*Shown: Single 42" multi-color with fabric plain back. Includes custom finish wood caps and carpeted kick-plate options.*

---

#### STANDARD SPECIFICATIONS:

- **Upholstery:** Upholstered seat back, seat, standard base, both end caps and top caps. Matching welt cord on all caps and seat(s). Upholstered outside back available when specified, at no additional cost.
- **Construction:** Glued, screwed and corner-blocked computer engineered uni-frame.
- **Dimensions:** Single - 48" L x 26"W x 36"H.
- **Crumb Strip:** 1½" upholstered.
- **Seat:** Removable 8" (standard) or 12¼" (tall) seat height.
- **Kick Plate:** 7¾" tall ABS textured plastic.

---

#### OPTIONS:

- 42", 48" Heights.
- Multiple Colors.
- Contrasting Welt Cord.
- Wood or laminate caps.
- Head roll.
- Decorative inside back styles.
- Bar-height.
- Bar-height foot shelf or rail.
- Steel, aluminum or wood legs.
- Wood or laminate crumb or base.
- Upholstered, wood or laminate kick-plate.



## Top Cap Tall Seat

Our Tall Seat upholstered booth delivers all of the luxury of the Standard seat, but features a tall 12¼" seat directly on the 7¾" ABS plastic laminated kickplate.

*Shown: Single 36" tall seat multi-colored vinyls with fabric back. Includes head-roll option.*

---

### BACK STYLE AVAILABLE (booths with top caps)

---



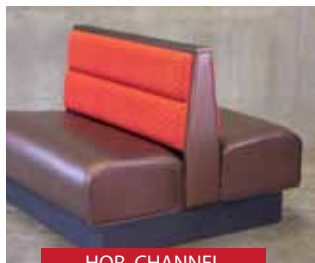
3-CHANNEL



6-CHANNEL



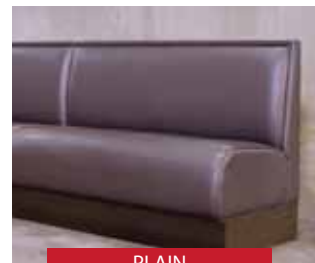
BUTTON TUFT



HOR. CHANNEL



V-BACK



PLAIN

---

### BOOTHS WITH TOP CAPS

### PART NUMBERS

DBS-	Standard Seat, Single	-36*	36" Tall, Plain Back
DBD-	Standard Seat, Double	-363*	36" Tall, 3-Channel Back
DBTS-	Tall Seat, Single	-366*	36" Tall, 6-Channel Back
DBTD-	Tall Seat, Double	-36HO *	36" Tall, Horizontal Channel Back
		-36VN*	36" Tall, V-Back
		-36T*	36" Tall, Button Tufted Back

\* For 42 or 48" tall, replace "36" with the desired back height.

# Pullover Top Standard Seat

Our Pullover Top, Standard Seat upholstered booth features a pullover, or sometimes called Pullman style top, rather than the traditional top cap.

*Shown: Single 36" multi-color with fabric V-Back.*



## STANDARD SPECIFICATIONS

- **Upholstery:** Upholstered seat back, pullover top, seat, standard base and end caps. Matching welt cord on end caps and seat. Upholstered outside back available when specified, at no additional cost.
- **Construction:** Glued, screwed and corner-blocked computer engineered uni-frame.
- **Dimensions:** Single - 48" L x 26" W x 36" H.
- **Crumb Strip:** 1½" upholstered.
- **Seat:** Removable 8" (standard) or 12¼" (tall) seat height.
- **Kick Plate:** 7¾" tall ABS textured plastic.

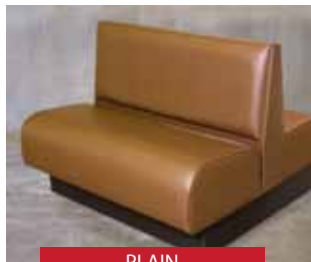
## OPTIONS

- 42", 48" Heights.
- Multiple Colors.
- Contrasting Welt Cord.
- Wood or laminate caps.
- Head roll.
- Decorative inside back styles.
- Bar-height.
- Bar-height foot shelf or rail.
- Steel, aluminum or wood legs.
- Wood or laminate crumb or base.
- Upholstered, wood or laminate kick-plate.

## BACK STYLES AVAILABLE (booths with pullover tops)



HOR. CHANNEL



PLAIN



V-BACK

## UPHOLSTERED BOOTHS with PULLOVER TOPS



Our Pullover (or Pullman style) with Tall Seat adds a modern tall 12¼" seat directly on top of the 7¾" ABS kick-plate. This style of booth has become the de facto standard for designers nationwide.

*Shown: Single 42" tall seat multi-colored with fabric back.*

## Pullover Top Tall Seat

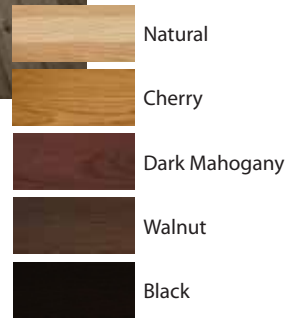
---

### PART NUMBERS

---

DBPS-	Pullover, Standard Seat, Single	-36*	36" Tall, Plain Back
DBPD-	Pullover, Standard Seat, Double	-36HO *	36" Tall, Horizontal Channel Back
DBPTS-	Pullover, Tall Seat, Single	-36VN*	36" Tall, V-Back
DBPTD-	Pullover, Tall Seat, Double		* For 42 or 48" tall, replace "36" with the desired back height.

# WOOD BOOTHS



## Wood Veneer with Seat Pads

Our Wood Veneer Booths are available with or without seat pads. Available in Natural, Cherry, Dark Mahogany, Walnut and Black finishes, standard. Custom colors, profiles, and engraving are also available.

*Shown: Top, Single 42" tall custom (light)walnut finish with seat and seat back pad. Left, 42" tall, all wood.*

### SPECIFICATIONS

- **Construction:** Glued, screwed and corner-blocked computer engineered uni-frame.
- **Dimensions:** Single - 48" L x 25" W x 42" H.
- **Wood Species:** Birch veneer MDF and wood components. Maple or oak also available upon request.
- **Wood Finish:** Hand rubbed stain with multi-coat catalyzed lacquer finish.
- **Seat:** Optional seat and seat back pads available.

### PART NUMBERS

DBS42-CW	42" Tall Single Wood
DBD42-CW	42" Tall Double Wood
DBS48-CW	48" Tall Single Wood
DBD48-CW	48" Tall Double Wood
DBS54-CW	54" Tall Single Wood
DBD54-CW	54" Tall Double Wood

\* Specify finish color: Natural (-N), Cherry (-C), Dark Mahogany (-DM), Walnut (-W), Black (-BK)





# BANQUETTES & CIRCLES



## Banquettes & Circles

### Standard, Tall Seat & Wood

All DMS booths are available as banquettes or circle booths.

#### BANQUETTES

All banquettes are sold by the inch. Corners can be added to fit any design.

#### PART NUMBERS

- B\* Banquette
- \* Use the appropriate single booth number followed by the suffix above.

#### CIRCLE BOOTHS

- Half circle measures 48 x 92 x 48" (188" total).
- Three-quarter Circle measures 48 x 92 x 92 x 48" (280" total).
- Custom dimensions also available.

#### PART NUMBERS

- 12\* 1/2 Circle Booth
- 34\* 3/4 Circle Booth
- \* Use the appropriate single booth number followed by the suffix above.



42" vinyl 1/2 circle 6 channel at 48x88x48"

## BOOTH OPTIONS

# Booth Options

We offer a range of booth options to customize any booth design.

---

### HEAD ROLL

---

- Standard Roll is horizontal, 6" tall.



---

### BAR HEIGHT OPTION

---

- Any booth can be upgraded to a bar height style. A foot shelf (shown below) or foot rail can also be added.
- The bar height option raises the seat and back 11 additional inches from the floor.



Bar height 36" back with  
ABS foot shelf

---

### ADDITIONAL LENGTH OR HEIGHT

---

- Any booth height can be specified. Note that booths taller than 6' should be mounted to a wall or drilled to the floor for stability.
- Any booth length can be produced up to 96". Lengths over 84" should be specified as banquettes.

---

### LAMINATE OR WOOD END/ TOP CAP

---

- Upholstered end caps (2 per booth) and one top cap are standard. Optional wood or laminate top and end and/or top caps are available.



---

### CORNERS AND RADIUS

---

- Corners can be added to any banquette. Choose from standard (7" radius), sharp 90, half radius (inside back/seat), and full radius (includes outside back).



Sharp 90 corner



Standard 7" radius

---

### CALIFORNIA TECH BULLETIN #133

---

- Standard DMS construction meets CAL 117 standards. CAL 133 fire code specification is available.

---

### SINGLE BOOTH ATTACHED

---

- Attaching the back of a single booth to the return of a 1/2 or 3/4 circle can be specified.

## WAITING BENCHES



WOOD w/ PAD

TALL SEAT

UPHOLSTERED

# Waiting Benches

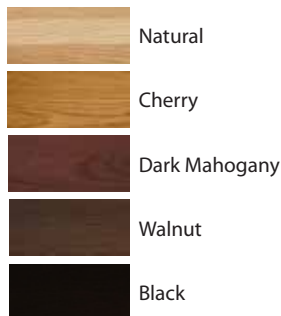
## Standard, Tall Seat & Wood

### SPECIFICATIONS

- **Construction:** Glued, screwed and corner-blocked computer engineered uni-frame.
- **Dimensions:** Upholstered - 48" L x 26"W x 19"H. Wood - 48" L x 25"W x 19"H.
- **Wood:** Birch veneer MDF and wood components. Maple or oak also available upon request.
- **Wood Finish:** Hand rubbed stain with multi-coat catalyzed lacquer finish.
- **Kick-plate:** 7<sup>3</sup>/<sub>8</sub>" tall ABS textured plastic.

### PART NUMBERS

- |         |                           |
|---------|---------------------------|
| DWB-US  | Standard Upholstered Seat |
| DWB-TS  | Tall Upholstered Seat     |
| DWB-WU* | Wood with or without pad  |
- \* Specify finish color: Natural (-N), Cherry (-C), Dark Mahogany (-DM), Walnut (-W), Black (-BK)



*Our wood waiting bench is available with or without upholstered seat pad. Custom engraving and profiles are also available.*



# WOOD CHAIRS & BARSTOOLS

## Beechwood Chairs & Barstools

DMS Wood Chairs and Barstools are built using high quality beech wood, then finished with extremely durable finishes.

*Available in Natural, Cherry, Dark Mahogany, Walnut and Black.*



D002



D004



D005



D034



D132



D002-BS



D004-BS



D005-BS



D034-BS



D132-BS

# METAL CHAIRS & BARSTOOLS



## Metal Chairs & Barstools

DMS Metal Chairs and Barstools are built of heavy-duty steel and finished with extremely durable, finishes.

*Available in Black Powder Coat and Gloss Clear Coat.*



D002



D004



D002-BS



D004-BS

### SPECIFICATIONS - METAL & WOOD

- **Seats:** All chairs and barstools are available with wood or upholstered seats. Metal chairs also have an economical "Black Vinyl Seat" choice.
- **Construction:** All wood products are built from 40 year aged beech wood, glued and screwed during assembly. All metal products are fully welded heavy gauge metal.
- **Dimensions (approximate):**  
 Seat: 18" Long by 17" wide  
 Wood Chair Back Height: 34"  
 Wood Barstool Back Height: 44"  
 Metal Chair Back Height: 32"  
 Metal Barstool Back Height: 42"
- **Seat to Floor Height (approximate):**  
 Chair: 18.5"  
 Barstool: 30"
- **Standard Fire Spec:** CAL 117, CAL133 is available at an additional charge (not available on BVS).

*D002: Black powder coat*

*D145C: Gloss clear coat on distressed metal*

## LAMINATE TOPS

# Laminate, Wood-edge Table Tops

Choose from 3 styles of laminated table tops. Each hand-crafted to your specifications.



### VINYL T-MOLD

### MORE INFO



- **Colored Vinyl T-mold:** Choose from black, brown, red cream, green, or chrome.
- **Part Number:** DVTM (followed by size)

### LAMINATE SELF-EDGE

### MORE INFO



- **Self-edge Laminate Top:** The top and sides are sealed with your choice of laminate
- **Part Number:** DLSE (followed by size)

### LAMINATE WOOD-EDGE

### MORE INFO



- **Waterfall Wood Edge:** The sides of this style have solid wood 3/4 by 1 1/2 finished edging.
- **Part Number:** DWWF (followed by size)



## Solid Ash Plank Table Tops

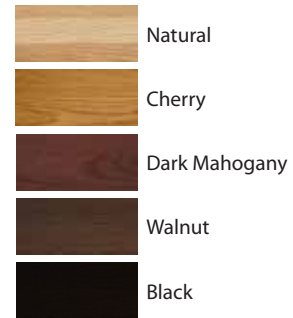
Our solid wood tops feature American Ash, regionally dried, cut and glued to ensure a product that will hold its shape for years.

### SOLID ASH WOOD

- Available in our standard finishes.
- Custom finishes also available

### PART NUMBERS

W (followed by size)



### STANDARD TOP SIZES & RECOMMENDED BASES (all tops)

24 x 24"   2222 or 18R	36 x 36"   3030 or 24R	24" Round   2222 or 18R
24 x 30"   2222 or 18R	36 x 42"   2430 or 0522 (2)	30" Round   2222 or 18R
24 x 42"   2430 or 0522 (2)	36 x 48"   2430 or 0522(2)	36" Round   3030 or 24R
24 x 48"   2430 or 0522 (2)	36 x 60"   0522 (2)	42" Round   3636 or 30R
24 x 60"   0522 (2)	36 x 72"   2530 (2) or 0522 (3)	48" Round   3636 or 30R
24 x 72"   0522 (2)	42 x 42"   3636 or 30R	60" Round   0522 (3) or 2222 (3)
30 x 30"   2222 or 18R	42 x 42" BC (booth cut)	
30 x 36"   2430 or 24R		
30 x 42"   2430 or 24R		
30 x 48"   2430 or 0522 (2)		
30 x 60"   0522 (2)		
30 x 72"   0522 (2)		

## TABLE BASES

### 2-Piece Table Bases

Our two piece table bases are fully welded and install in minutes.

All bases include levelers. Self tapping screws are included when ordering tops on the same order.



2-Prong



4-Prong



Round Disk

#### BASE SPECIFICATIONS

- **Color:** All bases are in a light wrinkle black powder coat, or matte black finish.
- **Height:** All bases are available in standard and bar height. Standard height is 28/29" for table and 39/40 for bar height.
- **Column Sizes:** All bases have 3" columns, except 3636, TR22,24, 30 which have 4" columns.

#### 2-PIECE BASE KIT PART NUMBERS

- DBT0522: 2-Prong, 5" wide by 22" long
- DBT2222: 4-Prong, 22" wide by 22" long
- DBT2430: 4-Prong, 22/24" wide by 30" long
- DBT3030: 4-Prong, 30" wide by 30" long
- DBT3636: 4-Prong, 36" wide by 36" long
- DBTR18: Round disk 18" diameter.
- DBTR22: Round disk 22" diameter.
- DBTR30: Round disk 30" diameter.





## Hostess Stands & Trash Receptacles

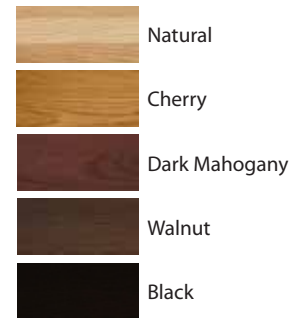
---

### WOOD HOSTESS STANDS MORE INFO

---



- Constructed of premium wood veneer products
- Standard size 18 x 24 x 35"
- Available in all standard finishes.
- Built to order. Custom profiles and colors are also available.
- **Part Number:** HOSTESS



---

### LAMINATE RECEPTACLE MORE INFO

---



- Constructed of laminate over particle board.
- Wilsonart -38 or -60 laminate, standard.
- Built to order. Custom profiles available.
- **Part Number:** TRECPT-L



# UPHOLSTERY GRADES

## UPHOLSTERY VINYL GRADES

### Grade 4

- Keyston: Jackson
- Enduralex: Armada
- Spradling: Floridian

### Grade 5

- Keyston: Revolution
- Enduralex: Independence 2

### Grade 6

- Keyston: Olympus
- Keyston: Pebble
- Keyston: Torrey
- Enduralex: Eclipse
- Enduralex: Predictions
- Enduralex: Prizm
- Enduralex: Visions
- Spradling: Patriot Plus

### Grade 7

- Enduralex: Grand Vista
- Enduralex: Ossie
- Enduralex: Santa Fe Suede
- Enduralex: Surrey
- Naugahyde: Spirit Millennium
- Boltaflex: Colorguard 2000

### Grade 8

- Enduralex: Gran Reserva
- Naugahyde Zodiac

## FABRIC GRADES

### Grade 6

- Douglass: Smart Choice

### Grade 7

- Douglass: Amenities

### Grade 8

- Douglass: Connoisseur

### Grade 9 (grade 8 plus 19%)

- Douglass: Best of Suite Style
- Douglass: Crazy for Crypton
- Douglass: Green Crypton
- Douglass: Green Passages
- Douglass: Presidio
- Douglass Salon (new)
- Douglass: Transitions

### Grade 10 (grade 8 plus 37%)

- Douglass: Greenbrier

## WILSONART LAMINATE GRADES

### Standard

- Wilsonart: -38 Fine Velvet Texture
- Wilsonart: -60 Matte Finish

### Premium 1

- Wilsonart: -01 High Gloss Finish
- Wilsonart: -07 Textured Gloss Finish
- Wilsonart: -18 Linearity Finish
- Wilsonart: -52 Quarry Finish
- Wilsonart: -78 Fine Grain Finish

### Premium 2

- Wilsonart: -35 Mirage Finish
- Wilsonart: -45 Facet Finish
- Wilsonart: -55 Glaze Finish

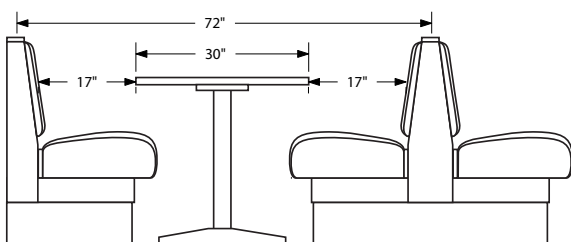
## LINKS

- <http://dougind.com>
- <http://enduralex.com>
- <http://keystonbros.com>
- <http://spradlingvinyl.com>
- <http://wilsonart.com>



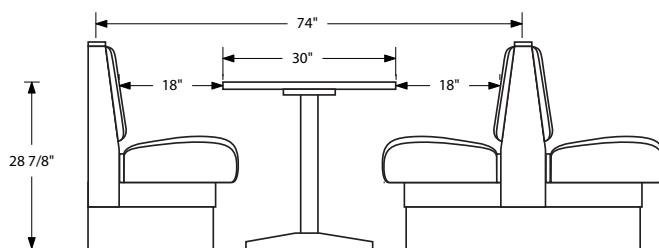
## WHY BOOTHS?

- In addition to more privacy and comfort, booths tend to add warmth (and revenue) to the front of the house.
- The deep cushion keeps your guests comfortable. The added comfort of booths, keeps your guests staying longer - spending more.
- Booths are available in single, double, 1/2 circle, 3/4 circle and wall benches. Using a wall bench with small tables allows easy conversion from couple settings, to large parties.
- Booths provide more seats than tables in the same space. The square inches of floor space used for a 4 person booth is just over 3,000, while the square inches for a 4 person table can exceed 5,000. That equates to 30% more revenue per seating in a packed house.



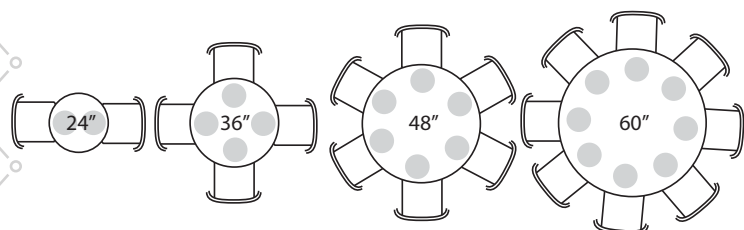
## BOOTH SPACE TIPS

- A standard layout allows the table edge to align with a small overlap over the outer edge of the booth seat.
- If using 30" wide tables, then booths require 72" from center to center of top caps. This provides a standard 17 inches of "belly room".
- Adjusting to 74 inches allows a more relaxed 18" of "belly room".
- If using 24" wide tables, the space between booths should be reduced to 66" between the center of top caps.
- Note: Due to limited leg room, cantilever bases are recommended when using 24" tables with booths.



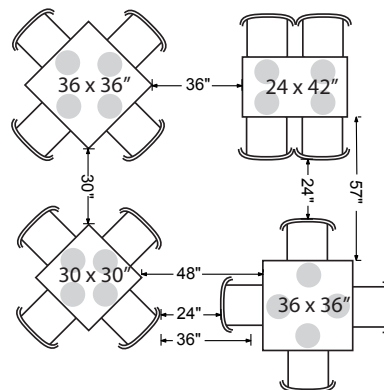
## TABLE & CHAIR SPACE TIPS

- The architectural standard for dining suggests that 300 square inches table space be allowed per diner.
- 24" table width is a minimum, suitable for a diner. 30" is the standard width. Dining with platters in the center should consider 36" widths.
- Note, in a booth, that a 24" table's column only allows 10.5" for the patron's feet as the slide over. Cantilever Bases are recommended for booths with 24" table widths.
- Shading representing 10" plates are shown on the diagrams below.



## AISLE WIDTHS

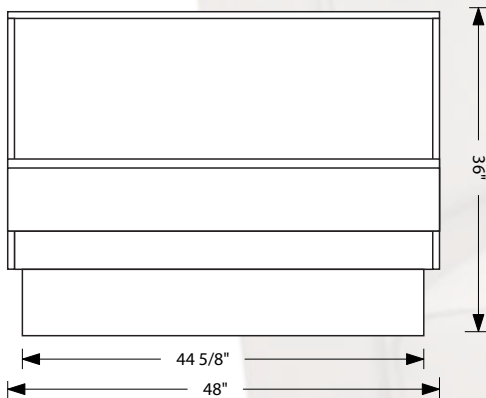
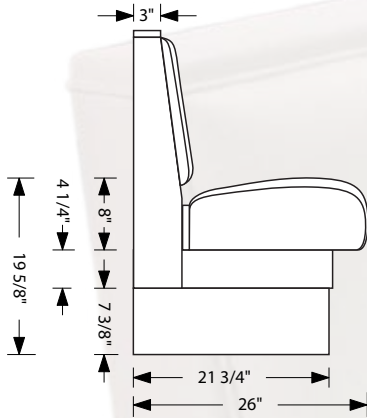
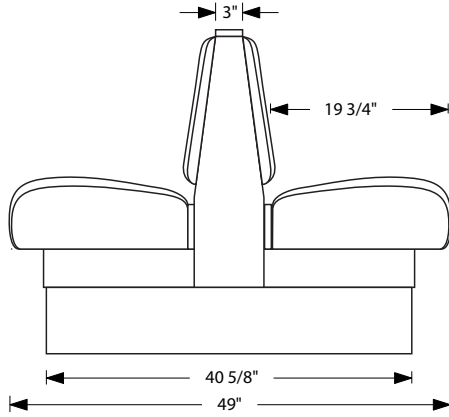
- Wait staff aisles can be 24" to 30", with service/main aisles 36".
- Allow square inches per seat for:  
 Banquet (close seating): 96-120 sq/in per person.  
 Casual Dining: 120-144 sq/in per person  
 White Tablecloth: 144-168 sq/in per person
- Shading representing 10" plates is shown on the diagrams below.



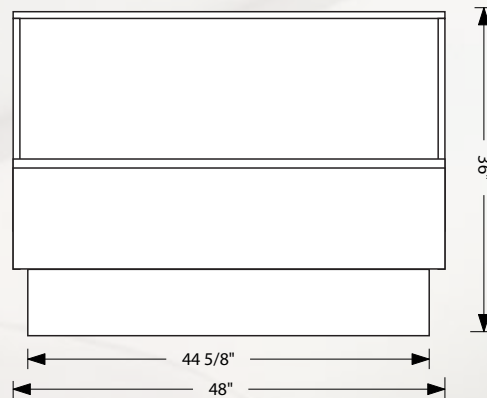
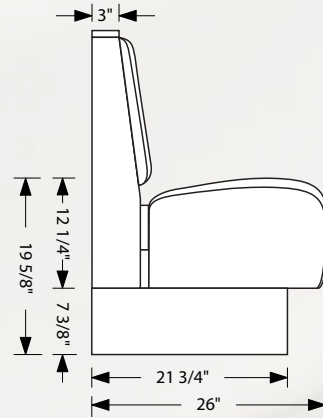
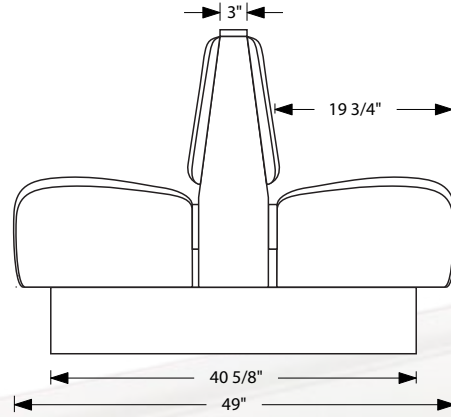


# UPHOLSTERED BOOTH DIMENSIONS

## STANDARD SEAT



## TALL SEAT

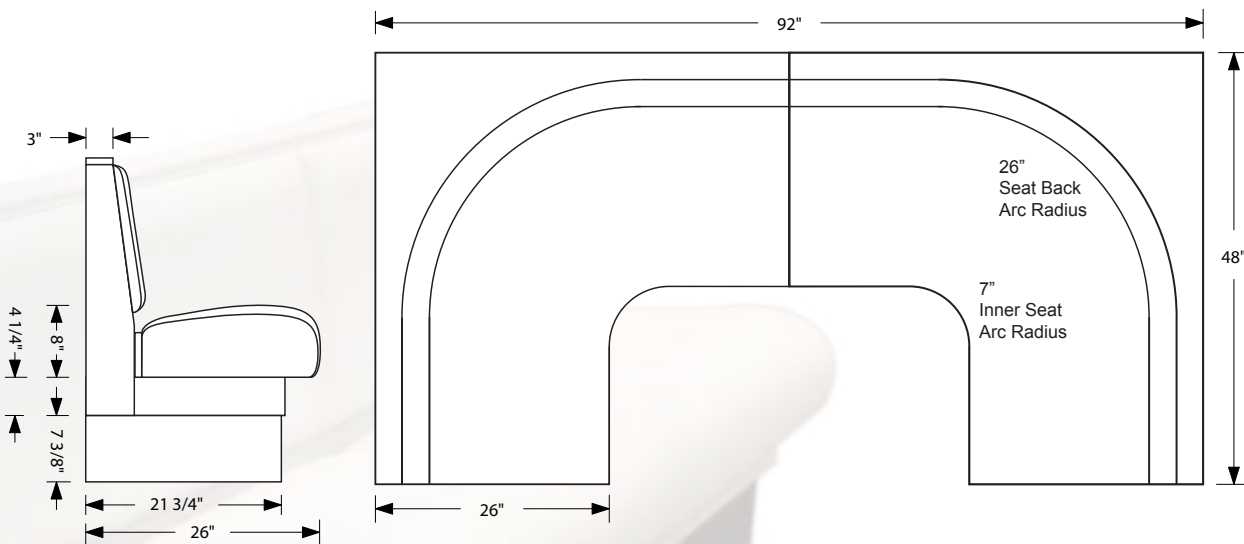


Dimensions indicated are based on finished pieces and will vary due to fabric and padding differences.

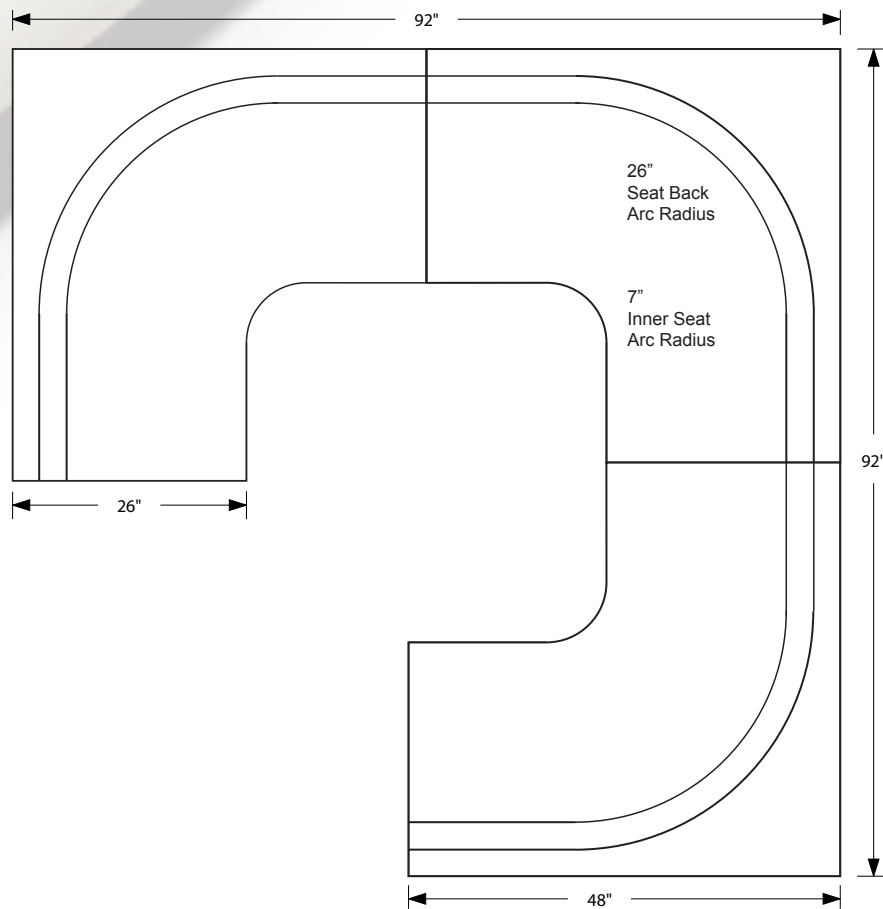
# CIRCLE BOOTH DIMENSIONS



## 1/2 CIRCLE - STANDARD UPHOLSTERED BOOTH



## 3/4 CIRCLE - STANDARD UPHOLSTERED BOOTH



Dimensions indicated are based on finished pieces and will vary due to fabric and padding differences.



# TERMS & CONDITIONS

## ORDERING

DM Seating Mfg. sells all products via dealers, designers, contractors and consultants only.

We are happy to assist anyone with layout, design, factory tour, planning and quoting. DM Seating will also provide a referral to a dealer/consultant in the customer area to expedite the customer order.

## The Process

### Send purchase orders to

Email: [PurchaseOrder@DMSeating.com](mailto:PurchaseOrder@DMSeating.com)

Fax: 678-495-1422

Mail: 1040 Marietta Ind. Dr., Marietta, GA 30062

**Watch for requests to complete “missing information and questions” from DM Seating.** Orders are not scheduled until all questions have been answered including TBD/TBA notes. This includes all sizes, fabrics, layout, material direction, colors, quantity accounting/pricing and shipping information.

### Review the customer acknowledgement for errors/issues.

DM Seating order acknowledgments are created from customer purchase orders and are considered written agreements to perform all work as specified. We are NOT responsible for acknowledgment errors unless noted within 24 hours of sending the order acknowledgment.

**Ensure all payments terms are met.** Accounting must release all orders for them to proceed into production. The customer can send email to [Accounting@DMSeating.com](mailto:Accounting@DMSeating.com) to check the customer account status and setup payment terms if needed.

**Notify DM Seating of any changes ASAP.** Changes while in production can be expensive and usually will change the shipping date. The customer is responsible for all costs incurred by DM Seating for any changes during production.

## PRICING INFORMATION

All list prices shown are manufacturer’s list prices, in US dollars, FOB DM Seating Mfg. in Marietta, Georgia or Norcross, Georgia, or Harrison, NJ. Pricing includes, assembly (except table bases), normal packaging, cartons and pallets.

## ACCOUNTS & CREDITS

**CREDIT TERMS:** DM Seating MFG offers discounted net terms to approved dealers, designers, contractors and consultants. DM Seating accepts payment via American Express, Mastercard, Visa, Check, Cash, Money Order or Wire Transfer.

**NEW ACCOUNTS:** New accounts (before final account approval) require 50% advance payment with the order before production scheduling takes place. Full payment, or final approval of terms is required 3 days before the shipment date.

## QUOTES / CHANGES

All quotations by Factory or Representatives are for a period not to exceed 60 days unless extended in writing.

**CHANGES / SPECIAL REQUIREMENTS:** Changes while in route, or customer’s failure to specify all delivery requirement(s) will result in additional freight charges to the customer.

Note: Drivers are under no obligation to assist with off loading.

## COM: CUSTOMERS OWN MATERIAL

DM Seating is NOT responsible for COM material.

All COM packages must be clearly marked on the exterior with Company name, Purchase order number and/or DM Seating order number.

## WARRANTY AND RETURNS

**BOOTH LIFETIME WARRANTY:** DM Seating Mfg. warrants all DM Seating booth product frames, webbing and construction to be free of manufacturer defects for the life of the product.

DM Seating’s warranty responsibility is limited to the cost of replacement or repair (at DM Seating’s discretion) of the DM Seating Mfg. products. FOB Marietta, GA.

Upholstery and foam are covered via their original manufacturer’s warranties only.

**CHAIR, BARSTOOL, TOP and BASE: 1 YEAR LIMITED WARRANTY:** DM Seating Mfg. warrants all chair frames, barstool frames, tops and bases purchased via DM Seating Mfg., to be free of manufacturer defects for the life of the product.

DM Seating’s warranty responsibility is limited to the cost of replacement or repair (at DM Seating’s discretion) of the DM Seating Mfg. products. FOB Marietta, GA.

Upholstery and foam are covered via their original manufacturer’s warranties only.

**NON-WARRANTY RETURNS:** Used or custom products cannot be returned. No product may be returned for credit or exchange without prior written authorization from DM Seating Mfg. Approved returns are subject to a minimum restocking and handling fee of 25%, and freight prepaid.

**WOOD STANDARDS & REGULATIONS:** U.S. Commercial Standards/Regulations require us to advise the customer that a wood product may experience some degree of warpage and thickness variation. We do not warranty warpage.

**WARRANTY CLAIMS:** DM Seating Mfg. is not responsible for warranty claims reported after 30 days from first recognition of the issue by the enduser. Once a claim is processed, DM Seating will work directly with the enduser to satisfy all warranty claims. All warranty claims must be provided in writing on a DM Seating Mfg. Warranty Evaluation form.

In all cases, normal wear and tear is not covered by the warranties.

# GENERAL INFORMATION



## FREIGHT CLASS INFORMATION

Freight class is a rating based on density and/or the NMFTA system of storability, density, stowability, handling and liability. Use of freight classes ensures that carriers get proportionally compensated for lighter products that use up a lot of space. Furniture by nature, is going to have a lower density, and a higher freight class (costing more per pound).

NMFTA Carriers will use the NMFC Code to determine class. Non-NMFTA carriers will use density.

Standard freight classes based on density and NMFC for DM Seating restaurant furniture are as follows:

Item	Density	NMFC	Density/NMFC
Booths	2-4	27880-1	250 / 150
Wood Barstools	2.41	80580-3	250 / 250
Wood Chairs	4.59	80580-4	250 / 150
Metal Barstools	2.85	80580-3	250 / 250
Metal Chairs	4.17	80580-4	200 / 150
Trash Receptacles	4.02	39270-3	200 / 150
Table Tops	15-22	83620-2	85 / 70
Table Bases	22.68	82790-9	85 / 70

\* Freight Quotations are valid for 15 days

## FREIGHT & HANDLING

DM Seating Mfg. ships within the continental United States only. Orders can ship freight collect, prepay and add, or 3rd party as specified.

At DM Seating, we take great pride in our products. Getting it onsite, in perfect condition is a priority in the process. We work to provide the best balance between strength and cost in packaging. This ensures that our customers get the very best value for their dollar.



## ADDITIONAL FREIGHT CHARGES

In addition to transit costs, additional charges are incurred for freight services, and delivery options. If these were not specifically indicated on the purchase order/quote, they will be invoiced subsequently.

Additional delivery options include: Re-delivery, Storage, Re-consignment, Call-ahead notification, Inside Delivery, Lift-gate, Weekend Delivery, Driver Off-loading labor, and Limited Access.

Limited Access Charges: In addition to commercial establishments not open to the walk-in public during normal business hours, limited access areas include:

- Residential | Apartments | Non-commercial
- Hospitals | Schools | Churches | Fairs | Carnivals
- Construction Sites | Individual (mini) Storage Units
- Military Bases | Military Installations | Prisons

## DAMAGE AND FREIGHT CLAIMS

It is customers' responsibility to inspect the entire delivery and report issues to DM Seating within 5 days of receipt.

DM Seating Mfg. accepts no responsibility for freight related issues reported 6 or more days after receipt of shipment.

3RD Party Shipments: DM Seating accepts no responsibility for freight related issues with third party carriers.

VISIBLE DAMAGE: To prevent additional charges...  
DO NOT REFUSE THE SHIPMENT.

Note all damage on the delivery receipt before signing for goods.

Keep a record of driver's name and anyone the customer may talk with at the carrier.

CONCEALED DAMAGE: Original packaging must be kept for the carrier, or the claim will be voided.

FREIGHT CLAIM PROCESSING: Any claim against DM Seating or the carrier for damaged goods must include appropriate damage notation on delivery receipt, photos and signed verification within 5 days of delivery receipt.

Using DM Seating's Warranty Evaluation form will expedite the process (available via the online sale resource center at DMSeating.com).

## CUSTOM DESIGNS

Standard booths can be made to special sizes, angles, trim, cutouts, seats special sewing, etc.; we welcome your special requests.

All circles and banquettes are standard with unfinished outside backs - if some are to be finished - please specify and add cost of outside back panels.

When circles, banquettes, curvettes, or any specials are ordered, always send plan with "Written In" dimensions. DM Seating Mfg. will also custom manufacture to your specifications.

Our Design Staff will assist you in meeting your customer's special needs. Please allow sufficient time to finalize the design and fabrication of special units.



**DM SEATING, MFG**

<http://DMSeating.com>

1040 Marietta Industrial Dr.  
Marietta, GA 30062

678-495-1417

678-495-1422 fax



# BUILT BETTER FROM THE INSIDE OUT.

## WE START WITH A 48" DESIGN

Size matters. Our standard booth is built for comfort... with a full four foot length.

## UNI-FRAME "L" CONSTRUCTION

Our booth frames are cut in a single slice. Unlike our competition, DMS backs will NEVER wobble.

## SCREWED & GLUED AT EVERY JOINT

We don't depend on pin nails. Every connection is corner blocked, glued and screwed into a permanent connection.

## INTEGRATED CRUMB STRIP

Our crumb strip is a component within the construction of our booths. Easier cleaning for you, more comfort for your guest.

## TALL ABS PLASTIC KICK PLATE

Every booth includes our 7 $\frac{3}{8}$ " indestructible kick plate. It's tall enough to ensure that the booth fits tight against the wall.

## LIFETIME WEB SEATING

Our web seat is both comfortable and made to last forever. It will never rust, squeak or sag. We warranty it for life.

## DOUBLE-THICK 3" FOAM

Simply put, we double the foam on the seat, and double the comfort for your guests.

